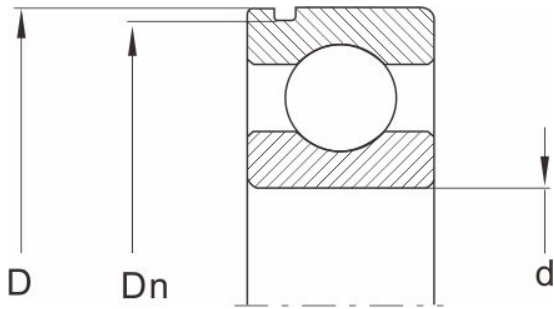


6018N

Dimensions and Parameters



Designation Bearing series

60	6018N
62	6216N
63	6313N
64	6411N
D	140

Dn

min.	134.73
max.	135.23

a Bearing series 60

min.	6.46
max.	3.71

a Bearing series 62 63 64

min.	4.65
max.	1.9

b

min.	3.1
max.	3.4

r0

max.	0.6
------	-----

Stop ring

D	SP140
---	-------

f

min.	2.72
max.	2.82

e

Single Row Deep Groove Ball Bearings with Snap Ring Groove and Snap

Ring

min.

7.06

max.

7.21

g

≈

7

DR

max

154.7

DG

min

157