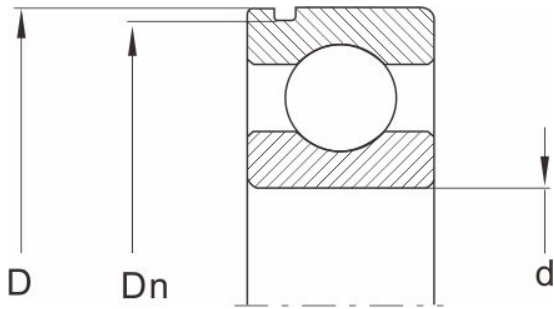


# 6014N

## Dimensions and Parameters



### Designation Bearing series

60	6014N
62	3212N
63	6310N
64	6408N
D	110

### Dn

min.	106.31
max.	106.81

### a Bearing series 60

min.	2.67
max.	2.87

### a Bearing series 62 63 64

min.	3.08
max.	3.28

### b

min.	2.7
max.	3

### r0

max.	0.6
------	-----

### Stop ring

D	SP110
---	-------

### f

min.	2.36
max.	2.46

### e

# Single Row Deep Groove Ball Bearings with Snap Ring Groove and Snap

Ring

min.

4.7

max.

4.85

g

≈

5

DR

max

116.6

DG

min

118