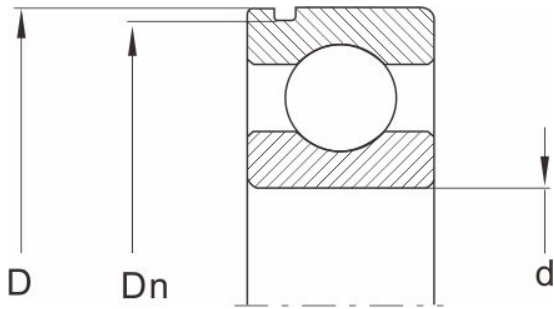


# 6012N

## Dimensions and Parameters



### Designation Bearing series

60	6012N
62	--
63	--
64	--
D	95

### Dn

min.	91.32
max.	91.82

### a Bearing series 60

min.	2.67
max.	2.87

### a Bearing series 62 63 64

min.	--
max.	--

### b

min.	2.7
max.	3

### r0

max.	0.6
------	-----

### Stop ring

D	SP95
---	------

### f

min.	2.36
max.	2.46

### e

# Single Row Deep Groove Ball Bearings with Snap Ring Groove and Snap

Ring

min.

4.7

max.

4.85

g

≈

5

DR

max

101.6

DG

min

103