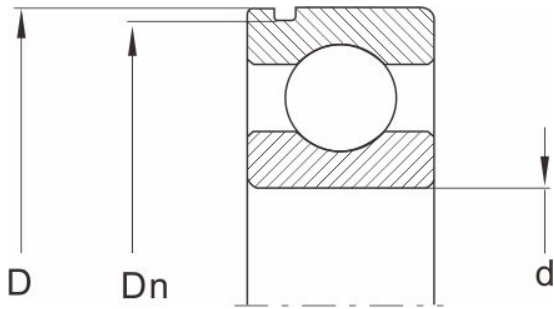


6011N

Dimensions and Parameters



Designation Bearing series

60	6011N
62	6210N
63	6308N
64	6406N
D	90

Dn

min.	86.29
max.	86.79

a Bearing series 60

min.	2.67
max.	2.87

a Bearing series 62 63 64

min.	3.08
max.	3.28

b

min.	2.7
max.	3

r0

max.	0.6
------	-----

Stop ring

D	SP90
---	------

f

min.	2.36
max.	2.46

e

Single Row Deep Groove Ball Bearings with Snap Ring Groove and Snap

Ring

min.

4.7

max.

4.85

g

≈

5

DR

max

96.6

DG

min

98