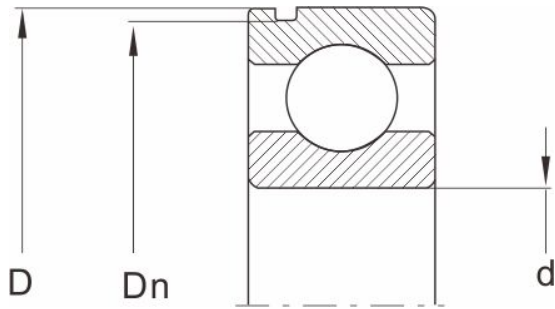


# 6009N

## Dimensions and Parameters



### Designation Bearing series

60	6009N
62	--
63	63/32N
64	--
D	75

### Dn

min.	71.33
max.	71.83

### a Bearing series 60

min.	2.29
max.	2.49

### a Bearing series 62 63 64

min.	3.08
max.	3.28

### b

min.	1.9
max.	2.2

### r0

max.	0.6
------	-----

### Stop ring

D	SP75
---	------

### f

min.	1.6
max.	1.7

### e

# Single Row Deep Groove Ball Bearings with Snap Ring Groove and Snap

Ring

min.

4.7

max.

4.85

g

≈

5

DR

max

81.6

DG

min

83