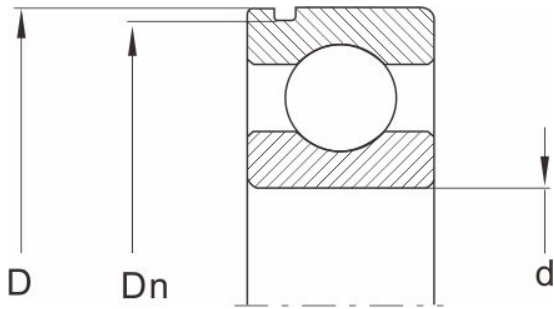


6003N

Dimensions and Parameters



Designation Bearing series

60	6003N
62	6202N
63	6300N
64	--
D	35

Dn

min.	32.92
max.	33.17

a Bearing series 60

min.	1.91
max.	2.06

a Bearing series 62 63 64

min.	1.91
max.	2.06

b

min.	1.35
max.	1.65

r0

max.	0.4
------	-----

Stop ring

D	SP35
---	------

f

min.	1.02
max.	1.12

e

Single Row Deep Groove Ball Bearings with Snap Ring Groove and Snap

Ring

min.

3.1

max.

3.25

g

≈

3

DR

max

39.7

DG

min

40.5