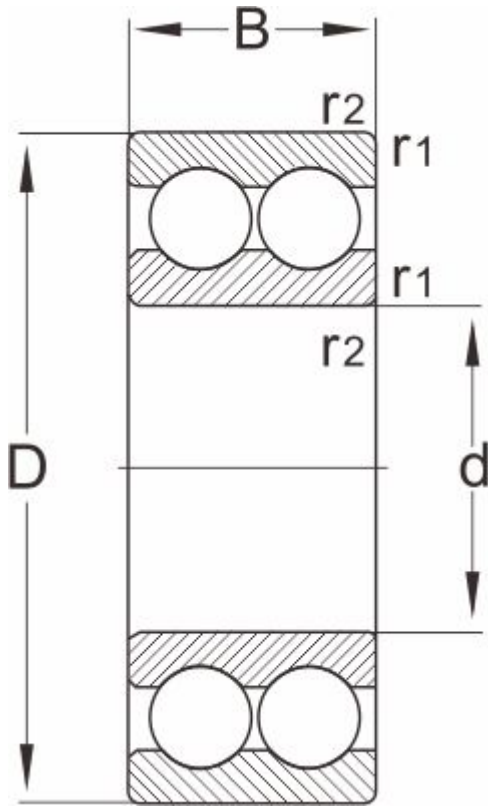


# 4310B.TV

## Dimensions and Parameters



|                     |          |
|---------------------|----------|
| Designation         | 4310B.TV |
| Dimensions [mm]     |          |
| d                   | 50       |
| D                   | 110      |
| B                   | 40       |
| r1,r2 Min           | 2        |
| Load ratings(kN)    |          |
| dyn Cr              | 81.5     |
| stat Cor            | 70       |
| Speed ratings(rpm ) |          |
| grease              | 4500     |
| oil                 | 5300     |
| Mass                |          |
| Kg                  | 1.7      |