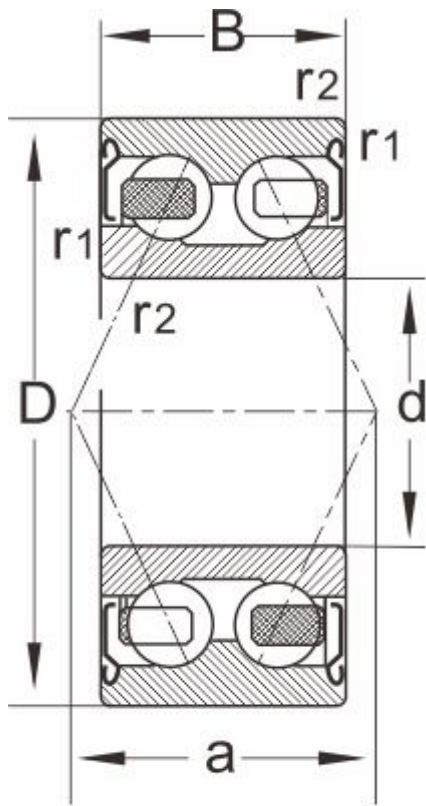


3916.2Z

Dimensions and Parameters



32..B.2Z
33..B.2Z

Designations	3916.2Z
Boundary dimensions	
d	80
D	110
B	23
r1,r2 Min	1
a ≈	--
Load ratings[KN]	
Dynmic Cr	26.7
stat Cor	32.5
Speed ratings[rpm]	
grease	3500
oil	--
Mass	0.576