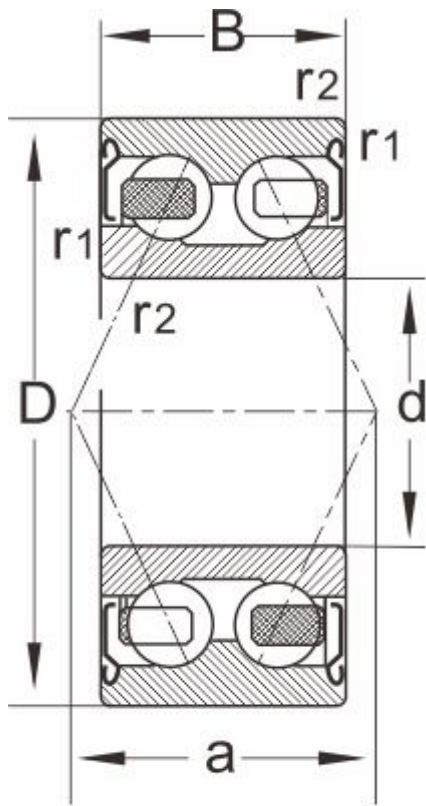


3911B.2Z

Dimensions and Parameters



32..B.2Z
33..B.2Z

Designations	3911B.2Z
Boundary dimensions	
d	55
D	80
B	19
r1,r2 Min	0.6
a ≈	--
Load ratings[KN]	
Dynmic Cr	20
stat Cor	21.7
Speed ratings[rpm]	
grease	5300
oil	--
Mass	0.282