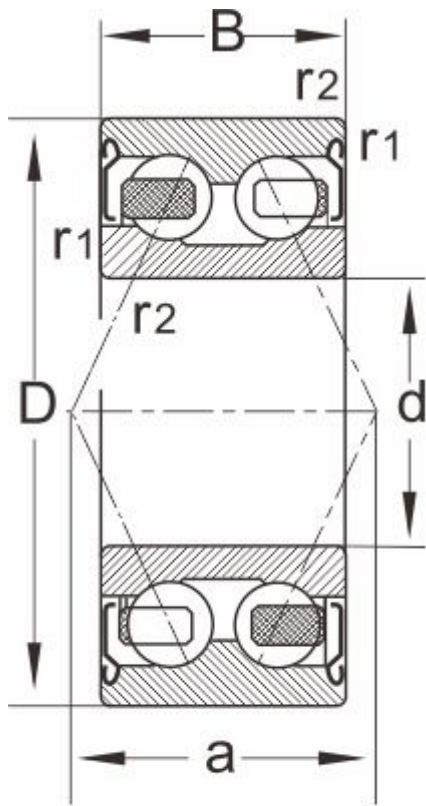


3816B.2Z

Dimensions and Parameters



32..B.2Z
33..B.2Z

Designations	3816B.2Z
Boundary dimensions	
d	80
D	100
B	15
r1,r2 Min	0.6
a ≈	--
Load ratings[KN]	
Dynmic Cr	16.5
stat Cor	21.7
Speed ratings[rpm]	
grease	4000
oil	--
Mass	0.23