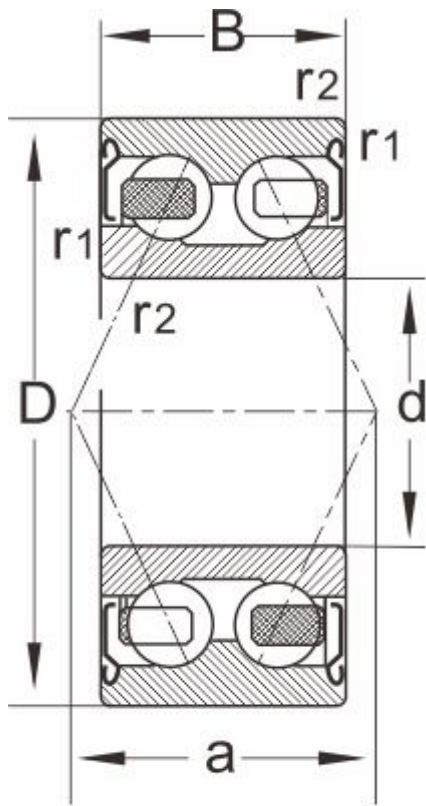


# 3813B.2Z

## Dimensions and Parameters



32..B.2Z  
33..B.2Z

Designations	3813B.2Z
Boundary dimensions	
d	65
D	85
B	15
r1,r2 Min	0.6
a ≈	--
Load ratings[KN]	
Dynmic Cr	15.1
stat Cor	18.3
Speed ratings[rpm]	
grease	4700
oil	--
Mass	0.182