

332296

Dimensions and Parameters

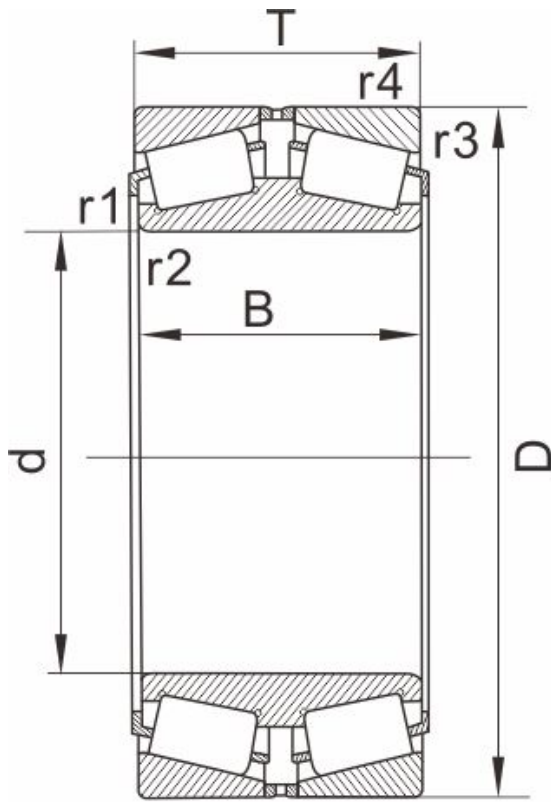


图 Design 11

Designation	332296
Boundary dimension [mm]	
d	254,10.0000
D	358.775
T	130.175
B	130.175
r1,r2 Min	1.5
r3,r4 Min	3.3
Mass (kg)	43.5
AFBMA	M249749DW/M249710
Design	11

Load ratings[kN]

Dyn Cr	1320
Stat Cor	3420

Calculation factors

e	0.33
Y1	2
Y2	3
Y0	2
K	1.76