

# 331943

## Dimensions and Parameters

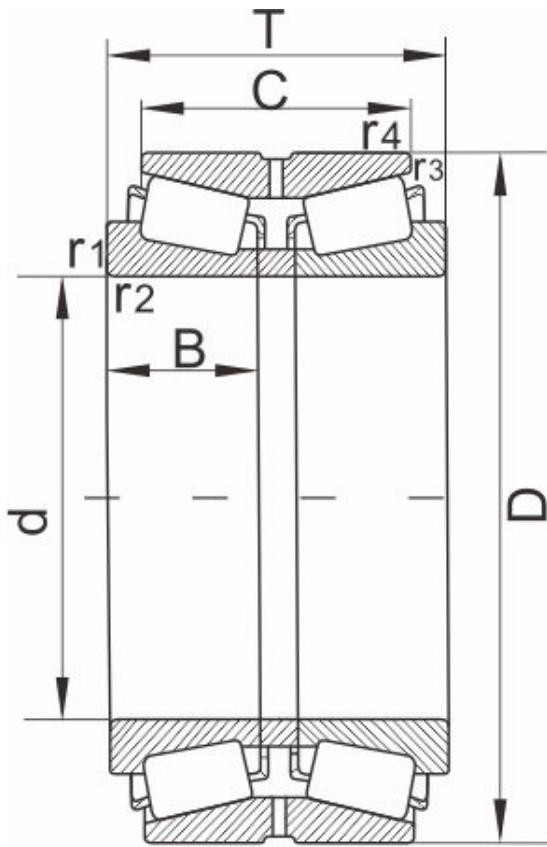


图 Design 11

Designation	331943
-------------	--------

### Boundary dimensions[mm]

d	146.050,5.7500
D	193.675
T	65.085
C	53.975
r1,r2 Min	1.5
r3,r4 Min	0.8
Mass[kg]	5
AFBMA	36690/36620D
Design	11

### Load ratings[kN]

dyn Cr	303
stat Cor	690

### Calculation factors

e	78
Y1	28.5
Y2	0.37
Y0	1.8
K	1.59