

331814

Dimensions and Parameters

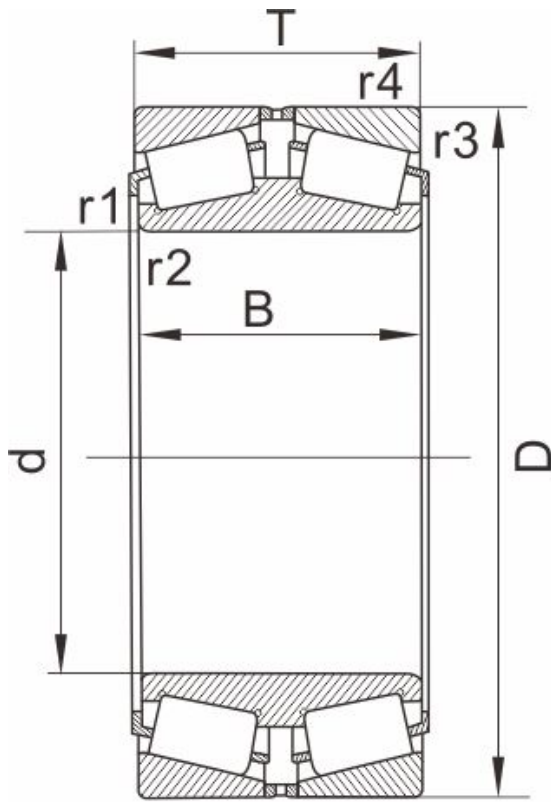


图 Design 11

Designation	331814
-------------	--------

Boundary dimension [mm]

d	177.800,7.0000
D	247.65
T	90.488
B	90.488
r1,r2 Min	1.5
r3,r4 Min	3.3
Mass (kg)	13
AFBMA	67790DW/67720
Design	11

Load ratings[kN]

Dyn Cr	583
Stat Cor	1440

Calculation factors

e	0.44
Y1	1.5
Y2	2.3
Y0	1.4
K	1.33