

331792

Dimensions and Parameters

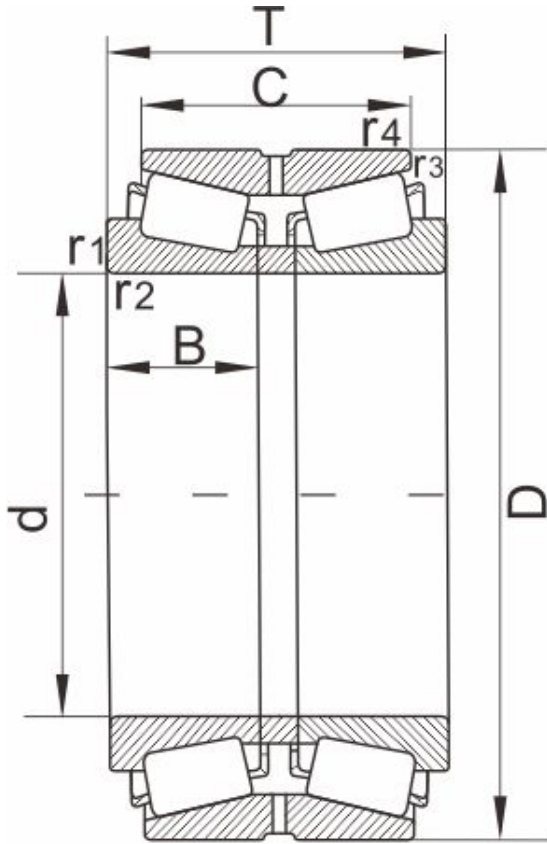


图 Design 11

Designation	331792
-------------	--------

Boundary dimensions[mm]

d	165.100,6.5000
D	225.425
T	85.725
C	69.85
r1,r2 Min	8
r3,r4 Min	0.8
Mass[kg]	10
AFBMA	46790A/46720D
Design	11

Load ratings[kN]

dyn Cr	457
stat Cor	1120

Calculation factors

e	120
Y1	45
Y2	0.37
Y0	1.8
K	1.52