

331717

Dimensions and Parameters

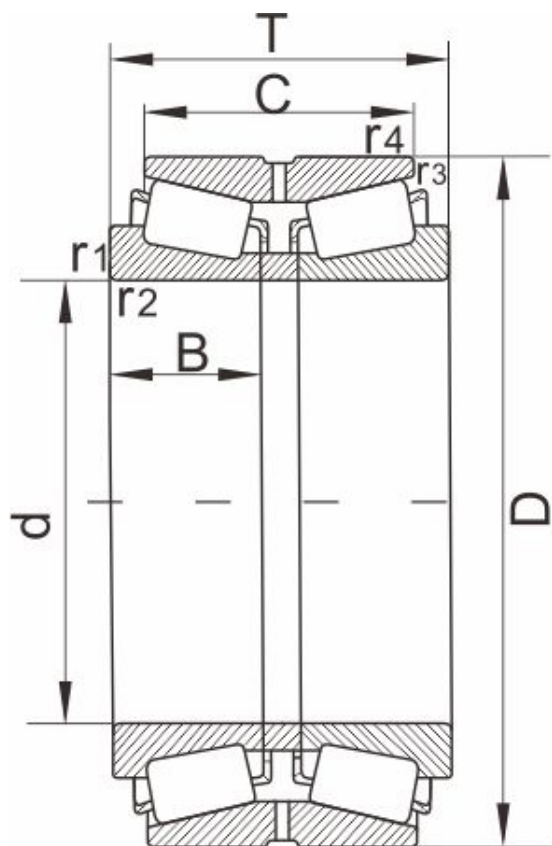


图 Design 11

Designation	331717
Boundary dimensions[mm]	
d	280,11.0236
D	470
T	250
C	180
r1,r2 Min	6.4
r3,r4 Min	0.8
Mass[kg]	135
AFBMA	--
Design	11
Load ratings[kN]	
dyn Cr	3300
stat Cor	6620
Calculation factors	
e	0.46
Y1	1.5
Y2	2.2
Y0	1.4
K	1.27