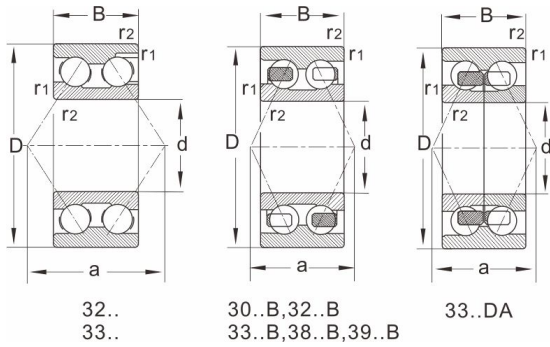


3316

Dimensions and Parameters



Designations	3316
Boundary dimensions	
d	80
D	170
B	68.3
r1,r2 Min	2.1
a ≈	123
Load ratings[KN]	
Dynmic Cr	176
stat Cor	212
Speed ratings[rpm]	
grease	2400
oil	3400
Mass	7