

# 331576A

## Dimensions and Parameters

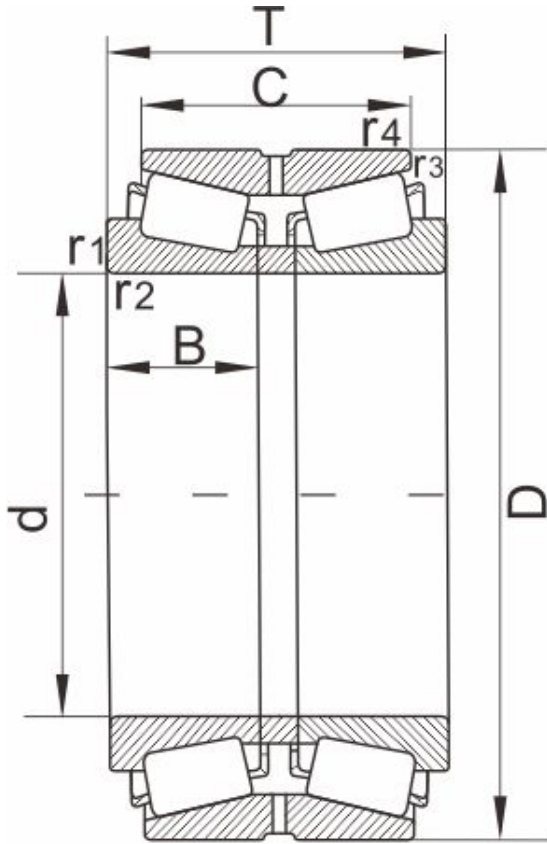


图 Design 11

Designation	331576A
-------------	---------

### Boundary dimensions[mm]

d	602.945,23.7380
D	787.4
T	206.375
C	158.75
r1,r2 Min	6.4
r3,r4 Min	1.5
Mass[kg]	180
AFBMA	EE649237/649311D
Design	11

### Load ratings[kN]

dyn Cr	3520
stat Cor	10100

### Calculation factors

e	0.37
Y1	1.8
Y2	2.7
Y0	1.8
K	1.58