

331558

Dimensions and Parameters

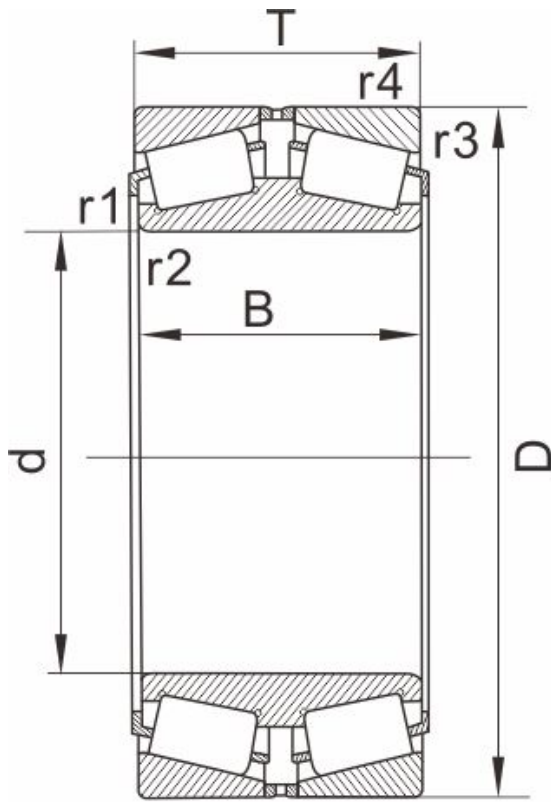


图 Design 11

Designation	331558
Boundary dimension [mm]	
d	266.700,10.5000
D	355.6
T	107.95
B	109.538
r1,r2 Min	1.6
r3,r4 Min	3.2
Mass (kg)	31.5
AFBMA	76589DW/76520
Design	11

Load ratings[kN]

Dyn Cr	968
Stat Cor	2690

Calculation factors

e	0.37
Y1	1.8
Y2	2.7
Y0	1.8
K	1.56