

33155411)

Dimensions and Parameters

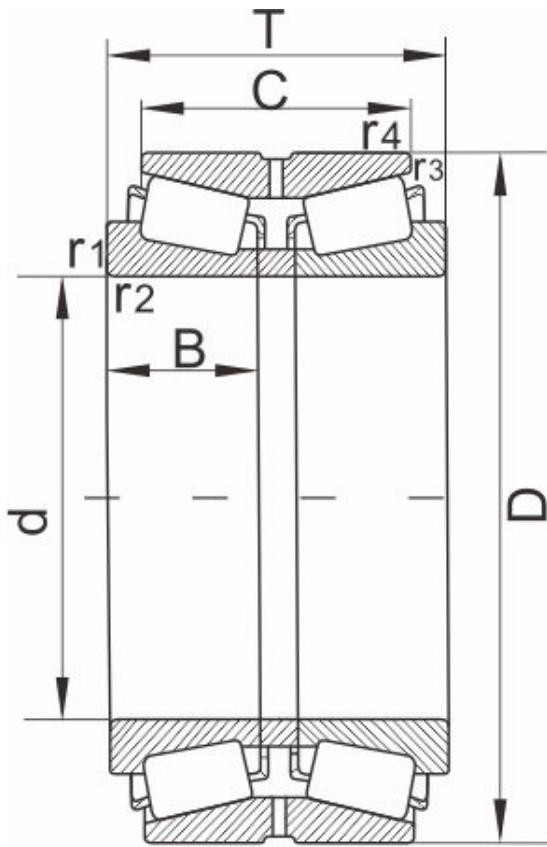


图 Design 11

Designation	33155411)
-------------	-----------

Boundary dimensions[mm]

d	723.900,28.5000
D	914.4
T	187.325
C	139.7
r1,r2 Min	3.3
r3,r4 Min	1.5
Mass[kg]	250
AFBMA	EE755285/755361D
Design	11

Load ratings[kN]

dyn Cr	3300
stat Cor	9200

Calculation factors

e	0.37
Y1	1.8
Y2	2.7
Y0	1.8
K	1.54