

# 331500

## Dimensions and Parameters

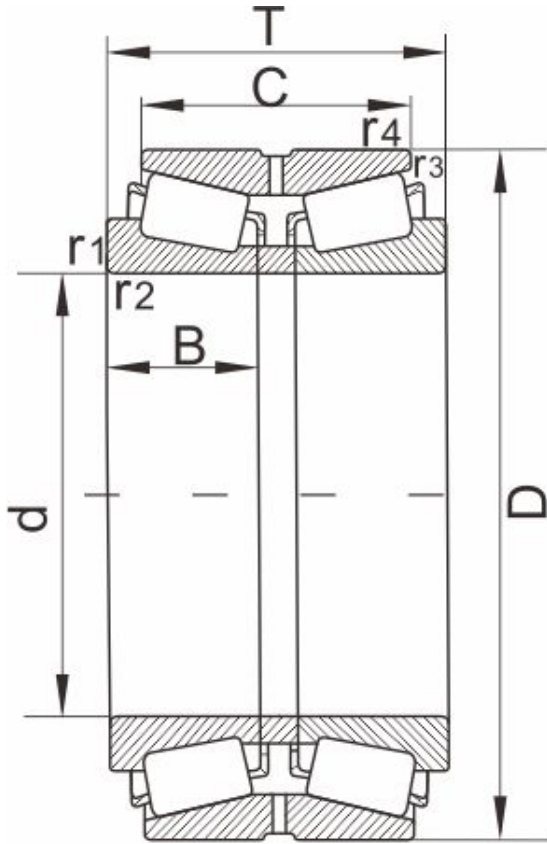


图 Design 11

Designation	331500
-------------	--------

### Boundary dimensions[mm]

d	609.600,24.0000
D	820
T	206.375
C	158.75
r1,r2 Min	6.4
r3,r4 Min	1.5
Mass[kg]	292
AFBMA	--
Design	11

### Load ratings[kN]

dyn Cr	3520
stat Cor	10100

### Calculation factors

e	0.37
Y1	1.8
Y2	2.7
Y0	1.8
K	1.58