

331388

Dimensions and Parameters

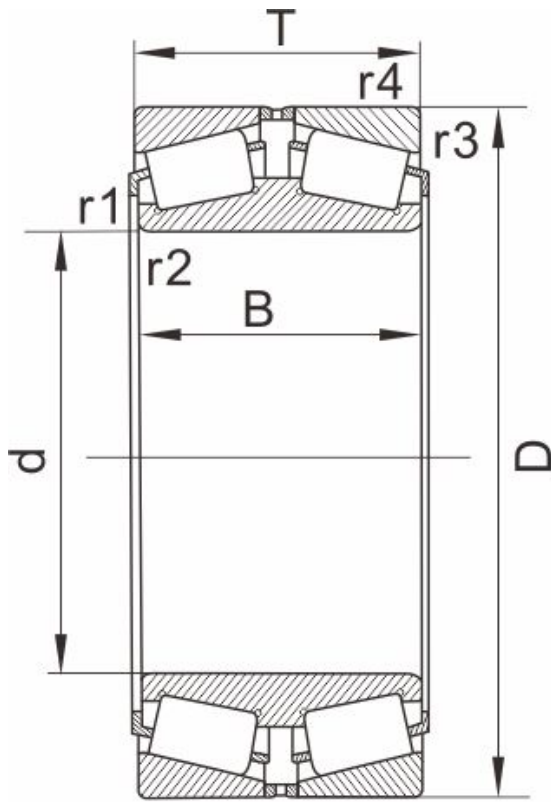


图 Design 11

Designation	331388
-------------	--------

Boundary dimension [mm]

d	206.375,8.1250
D	282.575
T	87.312
B	87.312
r1,r2 Min	0.8
r3,r4 Min	3.3
Mass (kg)	17
AFBMA	67985DW/67920
Design	11

Load ratings[kN]

Dyn Cr	605
Stat Cor	1590

Calculation factors

e	0.5
Y1	1.35
Y2	2
Y0	1.3
K	1.15