

**331387**

**Dimensions and Parameters**

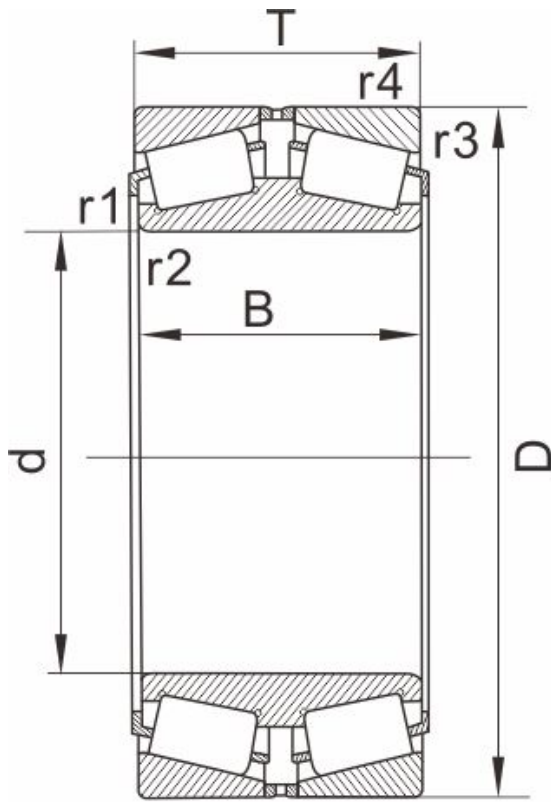


图 Design 11

Designation	331387
Boundary dimension [mm]	
d	152.400,6.0000
D	222.25
T	84.138
B	84.138
r1,r2 Min	1.5
r3,r4 Min	1.5
Mass (kg)	11.5
AFBMA	M231649DW/M231610
Design	11

Load ratings[kN]

Dyn Cr	523
Stat Cor	1230

Calculation factors

e	0.33
Y1	2
Y2	3
Y0	2
K	1.76