

# 331223A

## Dimensions and Parameters

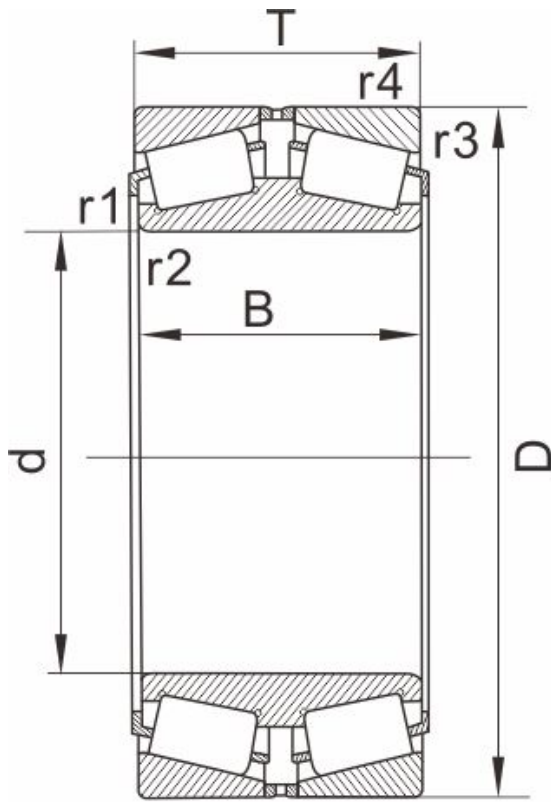


图 Design 11

Designation	331223A
-------------	---------

### Boundary dimension [mm]

d	269.875,10.6250
D	381
T	136.525
B	136.525
r1,r2 Min	3.3
r3,r4 Min	3.3
Mass (kg)	51
AFBMA	M252349D/M252310
Design	11

### Load ratings[kN]

Dyn Cr	1450
Stat Cor	3680

### Calculation factors

e	0.33
Y1	2
Y2	3
Y0	2
K	1.76