

331197A

Dimensions and Parameters

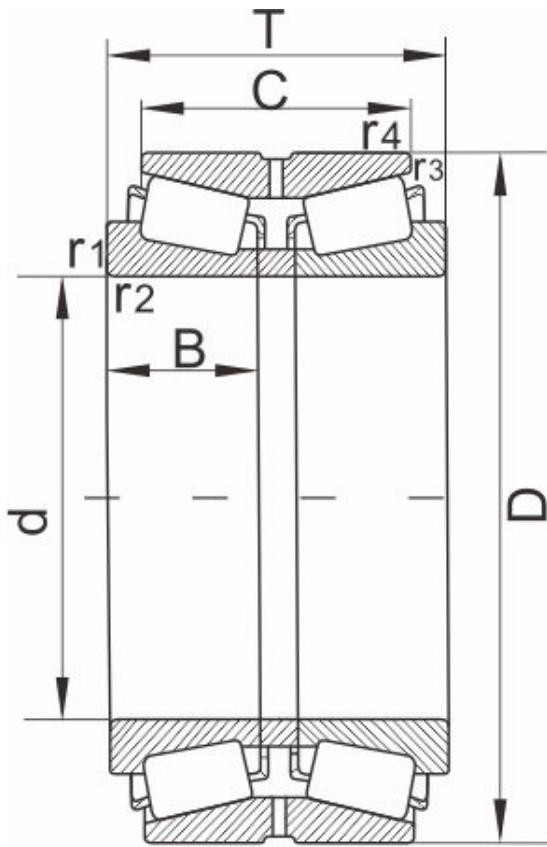


图 Design 11

Designation	331197A
Boundary dimensions[mm]	
d	384.175,15.1250
D	546.1
T	222.25
C	177.8
r1,r2 Min	6.4
r3,r4 Min	1.6
Mass[kg]	161
AFBMA	HM266449/HM266410D
Design	11

Load ratings[kN]

dyn Cr	3300
stat Cor	8100

Calculation factors

e	0.33
Y1	2
Y2	3
Y0	2
K	1.76