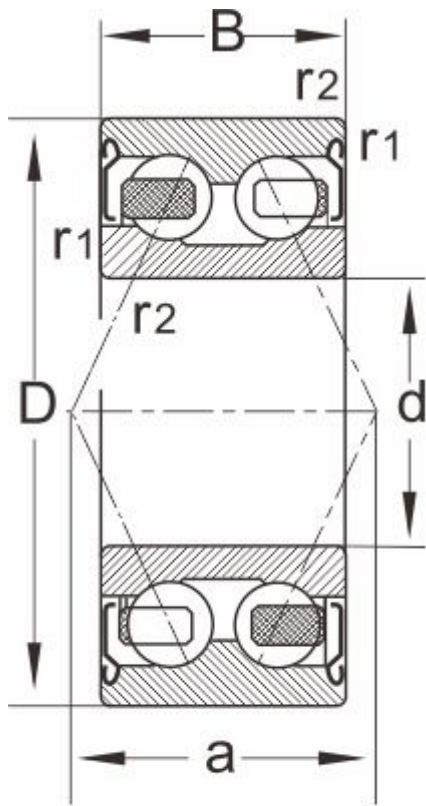


3310B.2Z

Dimensions and Parameters



32..B.2Z
33..B.2Z

Designations	3310B.2Z
Boundary dimensions	
d	50
D	110
B	44.4
r1,r2 Min	2
a ≈	55
Load ratings[KN]	
Dynmic Cr	81.5
stat Cor	62
Speed ratings[rpm]	
grease	4000
oil	--
Mass	2