

330431A

Dimensions and Parameters

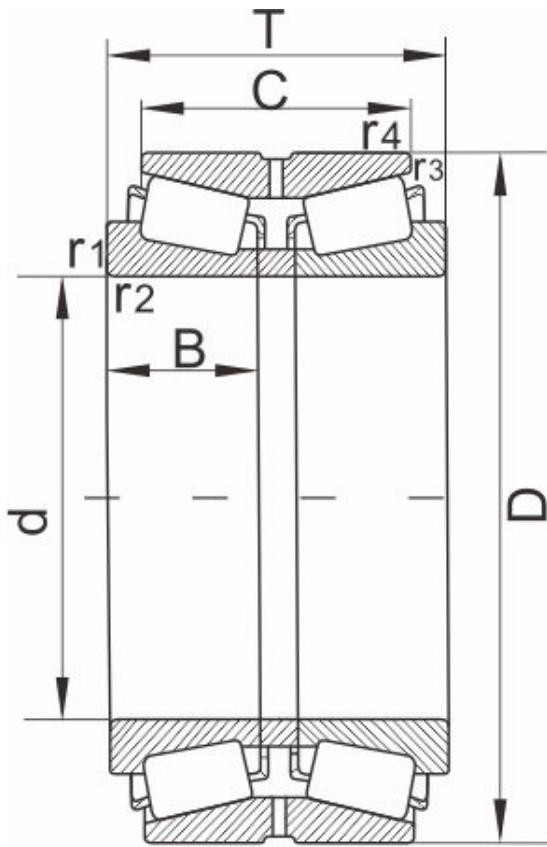


图 Design 11

Designation	330431A
Boundary dimensions[mm]	
d	130,5.1181
D	230
T	146
C	118.56
r1,r2 Min	4
r3,r4 Min	1.5
Mass[kg]	23.5
AFBMA	--
Design	11
Load ratings[kN]	
dyn Cr	952
stat Cor	1750
Calculation factors	
e	250
Y1	108
Y2	0.43
Y0	1.6
K	1.34