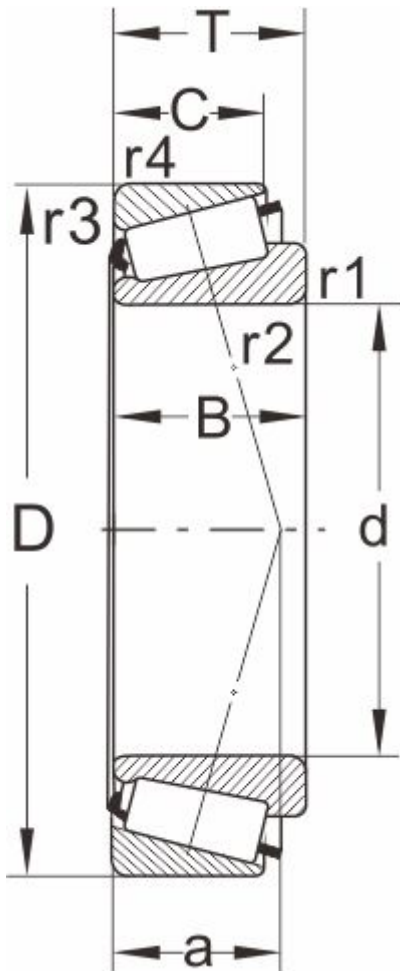


# 32964

## Dimensions and Parameters



### Designation

DIN720	32964
ISO355	T4FD200

### Boundary dimensions(mm)

d	320
D	440
B	72
C	63
T	76
r1,r2 min	4
r3,r4 min	3
a	--

### Speed ratings

grease	670
oil	900

### Load ratings[kN]

dyn Cr	1000
stat Cor	2320

### Calculation factors

e	0.42
Y	1.4
Y0	0.8

### Abutment and fillet

#### dimensions(mm)

Da max	334
db min	343

## Single Row Tapered Roller Bearings (Metric Series)

---

Da min	428
Db min	426
Ca min	9
Cb min	16
Mass (kg)	33.6