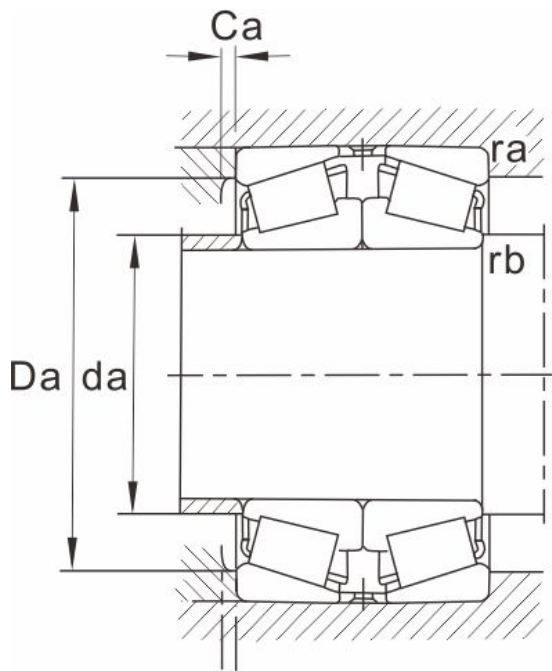


32960.DF

Dimensions and Parameters



Bearing NO.	32960.DF
-------------	----------

Boundary dimensions [mm]

d	300
D	420
T	152

Load ratings [kN]

Dyna Cr	1790
Static Dor	4500

Fatigue load limit [kN]

p_u	375
-------	-----

Speed ratings [rpm]

grease	--
Oil	--
Mass [kg]	65.5

Bearing dimensions

2B	152
r3.4 min	3
r5 min	1

Abutment and fillet

dimensions

da max	324
Da min	383
Da max	404
Ca min	12
ra max	2.5
rb max	--

Paired Single Row Tapered Roller Bearings (Face to Face)

Calculation factors

e	0.4
Y1	1.7
Y2	2.5
Y0	1.6