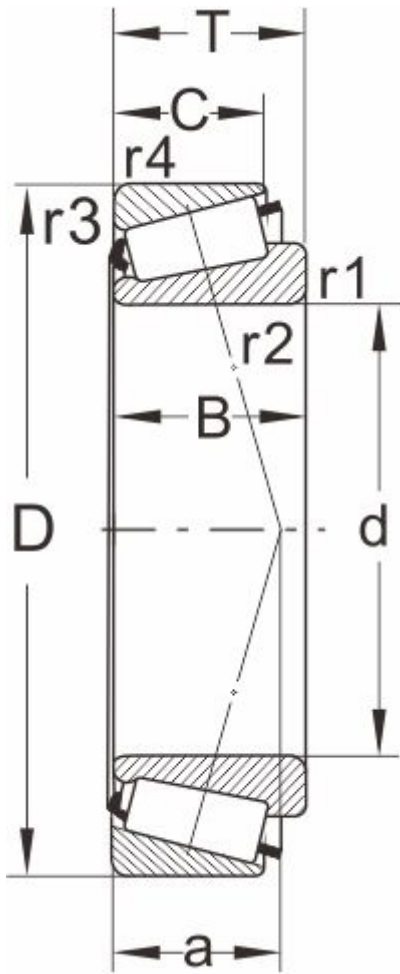


32938**Dimensions and Parameters**

Designation

DIN720	32938
ISO355	--

Boundary dimensions(mm)

d	190
D	260
B	42
C	36
T	45
r1,r2 min	2.5
r3,r4 min	2
a	--

Speed ratings

grease	950
oil	1400

Load ratings[kN]

dyn Cr	335
stat Cor	645

Calculation factors

e	0.39
Y	1.5
Y0	0.85

Abutment and fillet

dimensions(mm)

Da max	210
db min	199

Single Row Tapered Roller Bearings (Metric Series)

Da min	244
Db min	254
Ca min	--
Cb min	--
Mass (kg)	6.59