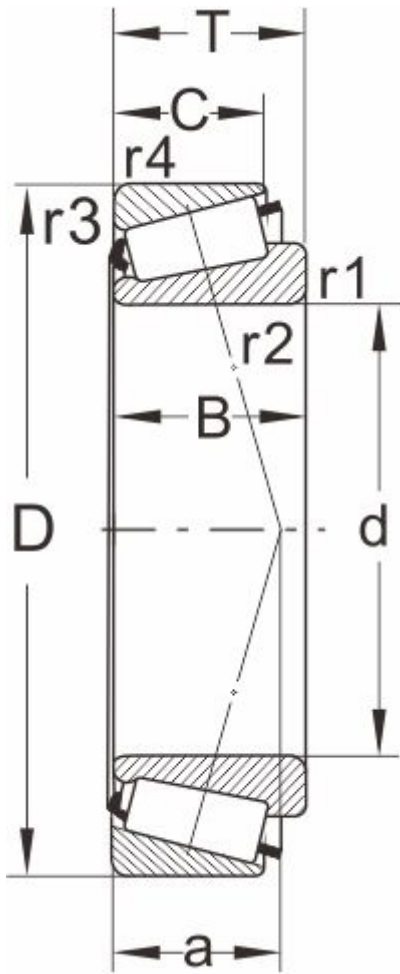


32344

Dimensions and Parameters



Designation

DIN720	32344
ISO355	--

Boundary dimensions(mm)

d	220
D	460
B	145
C	122
T	154
r1,r2 min	6
r3,r4 min	5
a	--

Speed ratings

grease	700
oil	950

Load ratings[kN]

dyn Cr	2020
stat Cor	3200

Calculation factors

e	0.37
Y	1.6
Y0	0.88

Abutment and fillet

dimensions(mm)

Da max	291
db min	250

Single Row Tapered Roller Bearings (Metric Series)

Da min	405
Db min	438
Ca min	--
Cb min	--
Mass (kg)	114