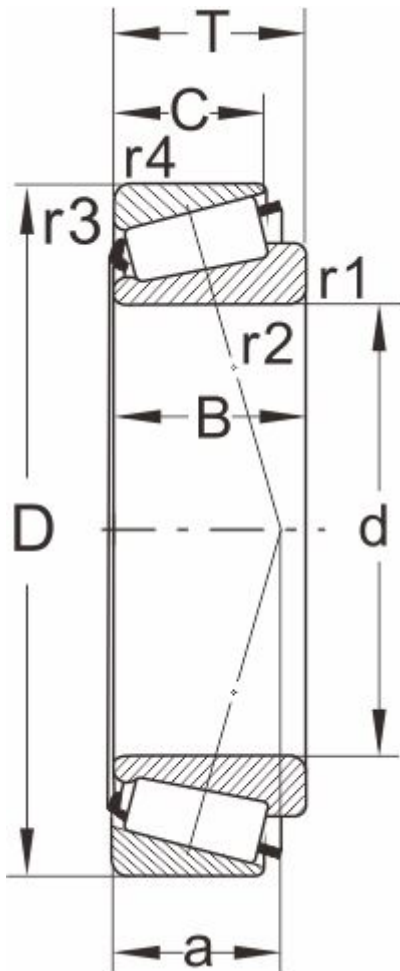


32338**Dimensions and Parameters**

Designation

| | |
|--------|-------|
| DIN720 | 32338 |
| ISO355 | -- |

Boundary dimensions(mm)

| | |
|-----------|-----|
| d | 190 |
| D | 400 |
| B | 136 |
| C | 109 |
| T | 140 |
| r1,r2 min | 6 |
| r3,r4 min | 5 |
| a | -- |

Speed ratings

| | |
|--------|------|
| grease | 850 |
| oil | 1200 |

Load ratings[kN]

| | |
|----------|------|
| dyn Cr | 1660 |
| stat Cor | 1580 |

Calculation factors

| | |
|----|------|
| e | 0.37 |
| Y | 1.6 |
| Y0 | 0.88 |

Abutment and fillet

dimensions(mm)

| | |
|--------|-----|
| Da max | 249 |
| db min | 220 |

Single Row Tapered Roller Bearings (Metric Series)

| | |
|-----------|------|
| Da min | 355 |
| Db min | 385 |
| Ca min | -- |
| Cb min | -- |
| Mass (kg) | 78.9 |