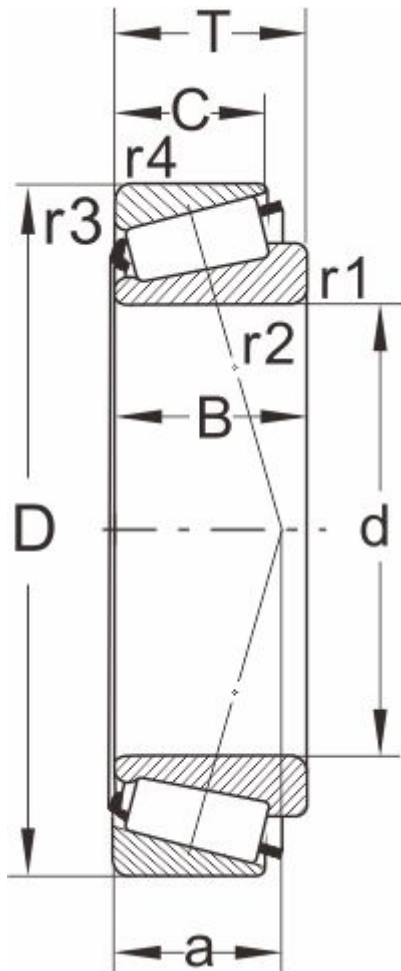


32322**Dimensions and Parameters**

Designation

DIN720	32322
ISO355	T2GD110

Boundary dimensions(mm)

d	110
D	240
B	80
C	65
T	84.5
r1,r2 min	4
r3,r4 min	3
a	58

Speed ratings

grease	1400
oil	1900

Load ratings[kN]

dyn Cr	735
stat Cor	1020

Calculation factors

e	0.35
Y	1.74
Y0	0.96

Abutment and fillet

dimensions(mm)

Da max	137
db min	124

Single Row Tapered Roller Bearings (Metric Series)

Da min	198
Db min	222
Ca min	9
Cb min	19.5
Mass (kg)	18.1