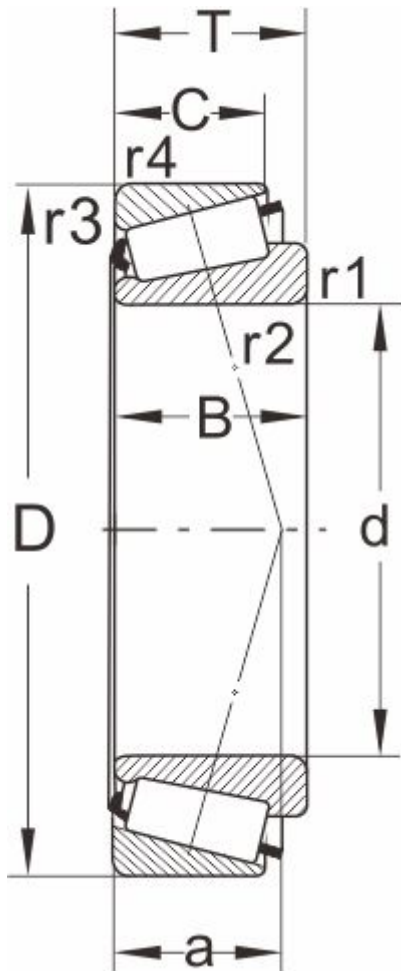


32307**Dimensions and Parameters**

Designation

DIN720	32307
ISO355	T5FE035

Boundary dimensions(mm)

d	35
D	80
B	31
C	25
T	32.75
r1,r2 min	2
r3,r4 min	2
a	25

Speed ratings

grease	4800
oil	6300

Load ratings[kN]

dyn Cr	96.5
stat Cor	118

Calculation factors

e	0.55
Y	1.1
Y0	0.6

Abutment and fillet

dimensions(mm)

Da max	42
db min	44

Single Row Tapered Roller Bearings (Metric Series)

Da min	61
Db min	76
Ca min	4
Cb min	7.5
Mass (kg)	0.83