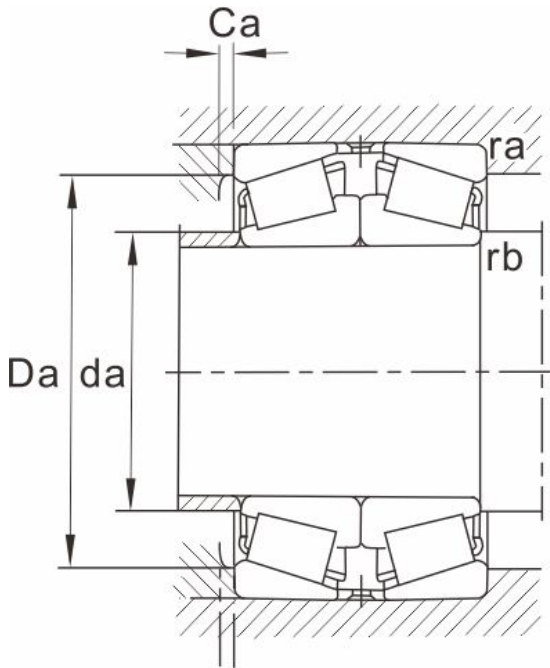


# 32228.DF

## Dimensions and Parameters



Bearing NO.	32228.DF
-------------	----------

### Boundary dimensions [mm]

d	140
D	250
T	143.5

### Load ratings [kN]

Dyna Cr	1100
Static Dor	2000

### Fatigue load limit [kN]

$p_u$	200
-------	-----

### Speed ratings [rpm]

grease	1000
Oil	1500
Mass [kg]	29

### Bearing dimensions

2B	136
r3.4 min	3
r5 min	1

### Abutment and fillet

#### dimensions

da max	159
Da min	210
Da max	236
Ca min	8
ra max	2.5
rb max	0.8

## Paired Single Row Tapered Roller Bearings (Face to Face)

---

### Calculation factors

e	0.43
Y1	1.6
Y2	2.3
Y0	1.6