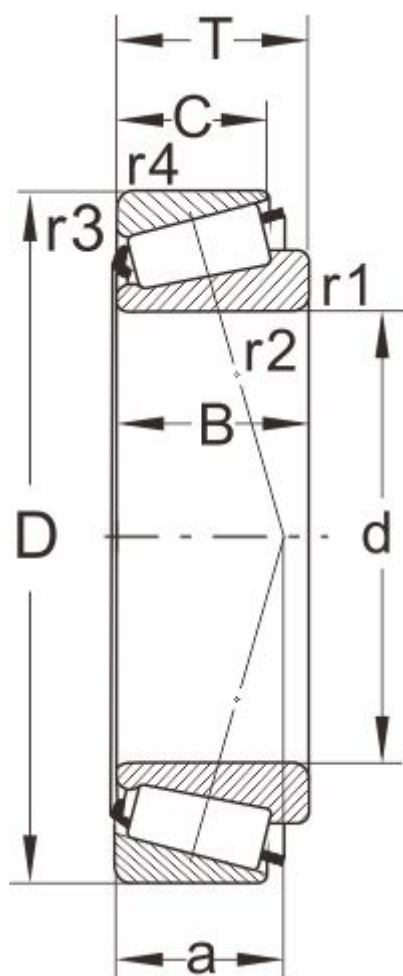


32224

Dimensions and Parameters



Designation

DIN720	32224
ISO355	T4FD120

Boundary dimensions(mm)

d	120
D	215
B	58
C	50
T	61.5
r1,r2 min	3
r3,r4 min	2.5
a	51

Speed ratings

grease	1600
oil	2200

Load ratings[kN]

dyn Cr	490
stat Cor	735

Calculation factors

e	0.44
Y	1.38
Y0	0.76

Abutment and fillet

dimensions(mm)

Da max	136
db min	132

Single Row Tapered Roller Bearings (Metric Series)

Da min	181
Db min	204
Ca min	7
Cb min	11.5
Mass (kg)	1.1