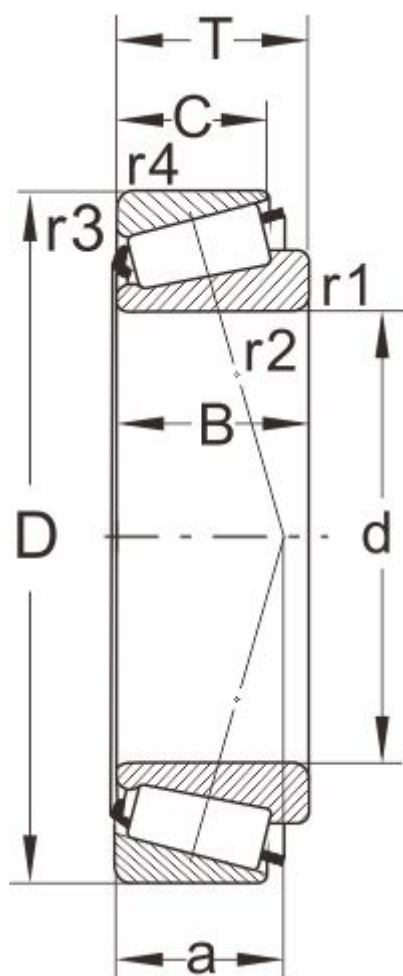


32217

Dimensions and Parameters



Designation

DIN720	32217
ISO355	T3EC085

Boundary dimensions(mm)

d	85
D	150
B	36
C	30
T	38.5
r1,r2 min	2.5
r3,r4 min	2
a	34

Speed ratings

grease	2200
oil	3200

Load ratings[kN]

dyn Cr	228
stat Cor	305

Calculation factors

e	0.42
Y	1.43
Y0	0.79

Abutment and fillet

dimensions(mm)

Da max	96
db min	95

Single Row Tapered Roller Bearings (Metric Series)

Da min	130
Db min	145
Ca min	5
Cb min	8.5
Mass (kg)	2.76