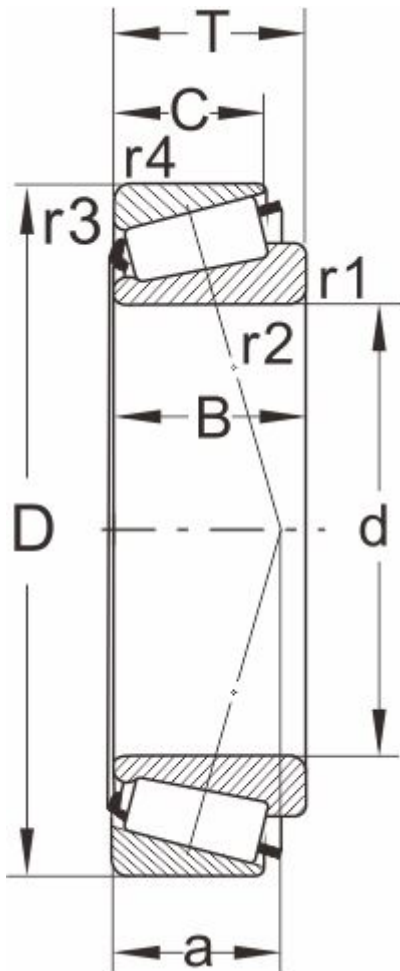


32210

Dimensions and Parameters



Designation

DIN720	32210
ISO355	T3DC050

Boundary dimensions(mm)

d	50
D	90
B	23
C	19
T	24.75
r1,r2 min	1.5
r3,r4 min	1.5
a	21

Speed ratings

grease	4300
oil	5600

Load ratings[kN]

dyn Cr	88
stat Cor	110

Calculation factors

e	0.42
Y	1.43
Y0	0.79

Abutment and fillet

dimensions(mm)

Da max	58
db min	57

Single Row Tapered Roller Bearings (Metric Series)

Da min	78
Db min	85
Ca min	3
Cb min	5.5
Mass (kg)	0.6