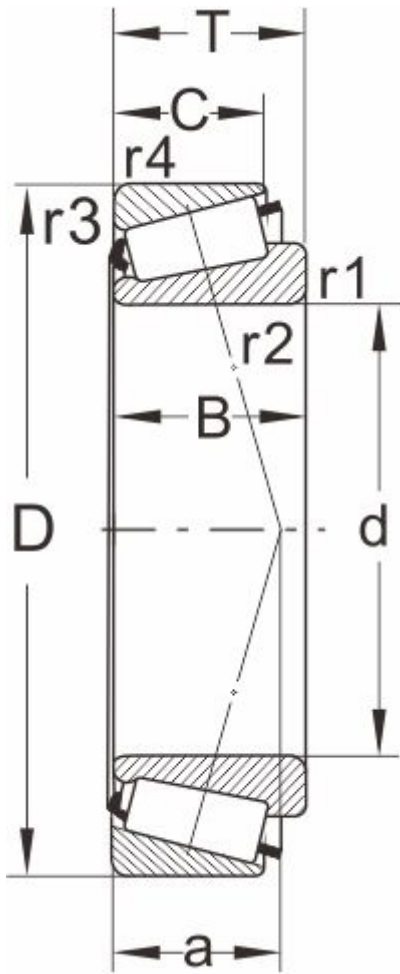


32084

Dimensions and Parameters



Designation

DIN720	32084
ISO355	--

Boundary dimensions(mm)

d	420
D	620
B	118
C	100
T	125
$r1, r2$ min	6
$r3, r4$ min	5
a	--

Speed ratings

grease	450
oil	600

Load ratings[kN]

dyn C_r	2000
stat C_{or}	4200

Calculation factors

e	0.37
Y	1.6
Y_0	0.88

Abutment and fillet

dimensions(mm)

D_a max	473
d_b min	444

Single Row Tapered Roller Bearings (Metric Series)

Da min	572
Db min	600
Ca min	--
Cb min	--
Mass (kg)	121