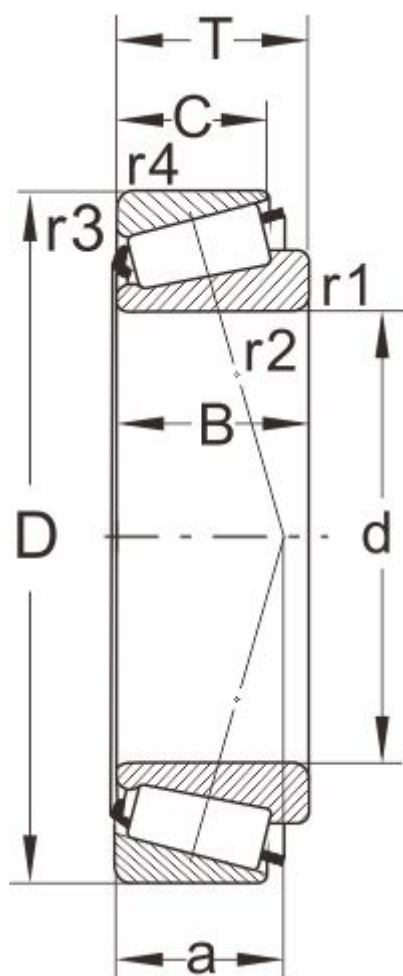


32064X

Dimensions and Parameters



Designation

DIN720	32064X
ISO355	--

Boundary dimensions(mm)

d	320
D	480
B	100
C	74
T	100
r1,r2 min	5
r3,r4 min	4
a	--

Speed ratings

grease	630
oil	850

Load ratings[kN]

dyn Cr	1560
stat Cor	3100

Calculation factors

e	0.46
Y	1.3
Y0	0.72

Abutment and fillet

dimensions(mm)

Da max	350
db min	338

Single Row Tapered Roller Bearings (Metric Series)

Da min	424
Db min	461
Ca min	--
Cb min	--
Mass (kg)	59.4