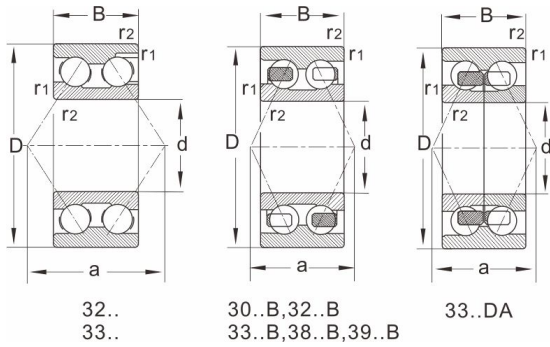


3205B

Dimensions and Parameters



Designations	3205B
Boundary dimensions	
d	25
D	52
B	20.6
r1,r2 Min	1
a ≈	27
Load ratings[KN]	
Dynmic Cr	21.2
stat Cor	14.6
Speed ratings[rpm]	
grease	8000
oil	11000
Mass	0.2