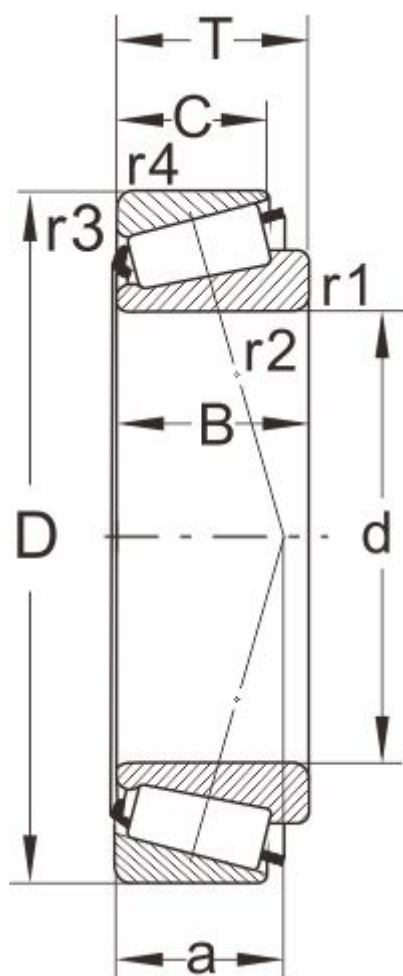


32038X

Dimensions and Parameters



Designation

DIN720	32038X
ISO355	T4FD190

Boundary dimensions(mm)

d	190
D	290
B	64
C	48
T	64
r1,r2 min	3
r3,r4 min	2.5
a	63

Speed ratings

grease	1000
oil	1500

Load ratings[kN]

dyn Cr	640
stat Cor	1140

Calculation factors

e	0.44
Y	1.36
Y0	0.75

Abutment and fillet

dimensions(mm)

Da max	209
db min	202

Single Row Tapered Roller Bearings (Metric Series)

Da min	257
Db min	279
Ca min	10
Cb min	16
Mass (kg)	14.8