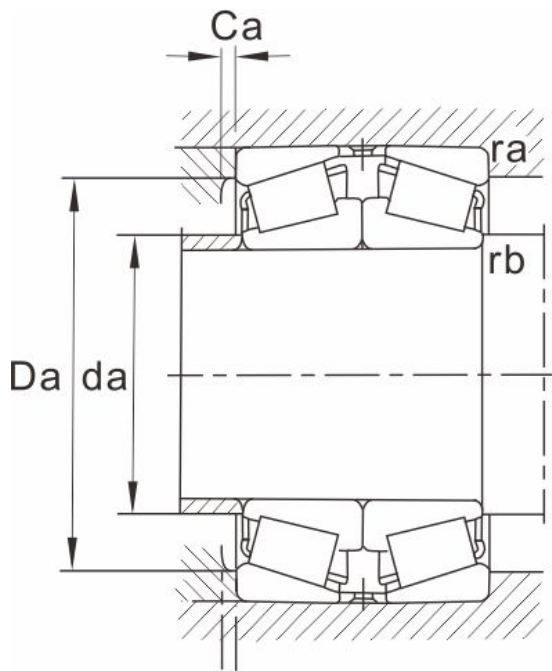


# 32024X.DF

## Dimensions and Parameters



Bearing NO.	32024X.DF
-------------	-----------

### Boundary dimensions [mm]

d	120
D	180
T	76

### Load ratings [kN]

Dyna Cr	418
Static Dor	830

### Fatigue load limit [kN]

$p_u$	90
-------	----

### Speed ratings [rpm]

grease	1300
Oil	1800
Mass [kg]	10

### Bearing dimensions

2B	76
r3.4 min	2
r5 min	0.6

### Abutment and fillet

#### dimensions

da max	132
Da min	161
Da max	170
Ca min	7
ra max	2
rb max	0.4

## Paired Single Row Tapered Roller Bearings (Face to Face)

---

### Calculation factors

e	0.46
Y1	1.5
Y2	2.2
Y0	1.4