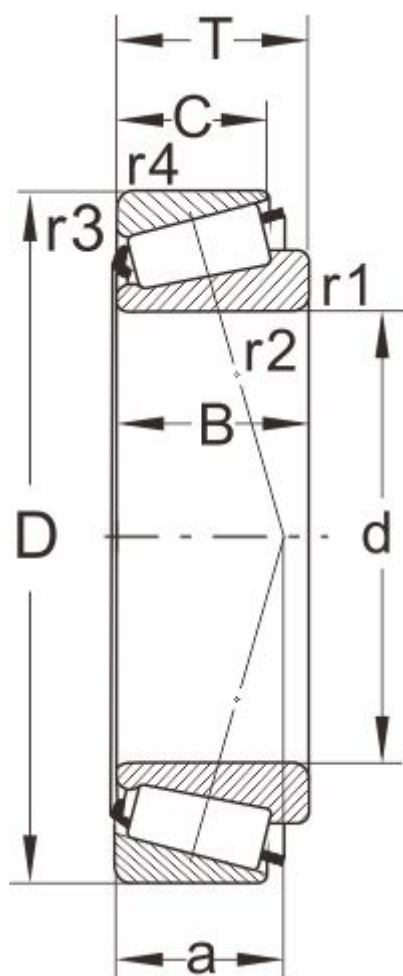


32016X

Dimensions and Parameters



Designation

DIN720	32016X
ISO355	T3CC080

Boundary dimensions(mm)

d	80
D	125
B	29
C	22
T	29
r1,r2 min	1.5
r3,r4 min	1.5
a	27

Speed ratings

grease	2600
oil	3600

Load ratings[kN]

dyn Cr	137
stat Cor	212

Calculation factors

e	0.42
Y	1.42
Y0	0.78

Abutment and fillet

dimensions(mm)

Da max	89
db min	87

Single Row Tapered Roller Bearings (Metric Series)

Da min	112
Db min	120
Ca min	6
Cb min	7
Mass (kg)	1.24