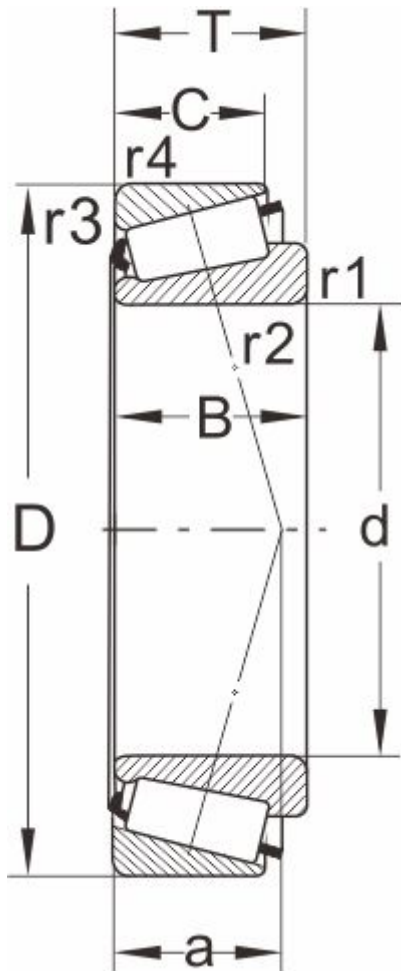


32011X

Dimensions and Parameters



Designation

DIN720	32011X
ISO355	T3CC055

Boundary dimensions(mm)

d	55
D	90
B	23
C	17.5
T	23
r1,r2 min	1.5
r3,r4 min	1.5
a	20

Speed ratings

grease	4000
oil	5300

Load ratings[kN]

dyn Cr	81.5
stat Cor	118

Calculation factors

e	0.41
Y	1.48
Y0	0.81

Abutment and fillet

dimensions(mm)

Da max	63
db min	62

Single Row Tapered Roller Bearings (Metric Series)

Da min	81
Db min	86
Ca min	4
Cb min	5.5
Mass (kg)	0.58