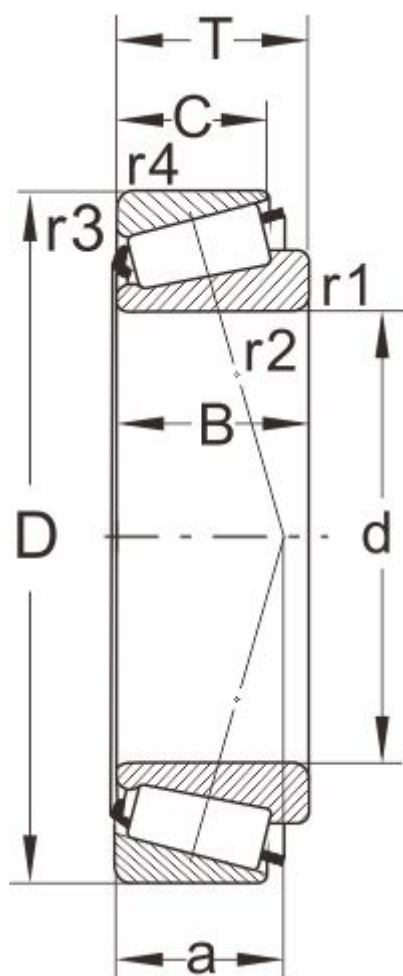


32008X**Dimensions and Parameters**

Designation

DIN720	32008X
ISO355	T3CD040

Boundary dimensions(mm)

d	40
D	68
B	19
C	14.5
T	19
r1,r2 min	1
r3,r4 min	1
a	15

Speed ratings

grease	5300
oil	7000

Load ratings[kN]

dyn Cr	54
stat Cor	71

Calculation factors

e	0.38
Y	1.58
Y0	0.87

Abutment and fillet

dimensions(mm)

Da max	46
db min	46

Single Row Tapered Roller Bearings (Metric Series)

Da min	60
Db min	65
Ca min	4
Cb min	4.5
Mass (kg)	0.29