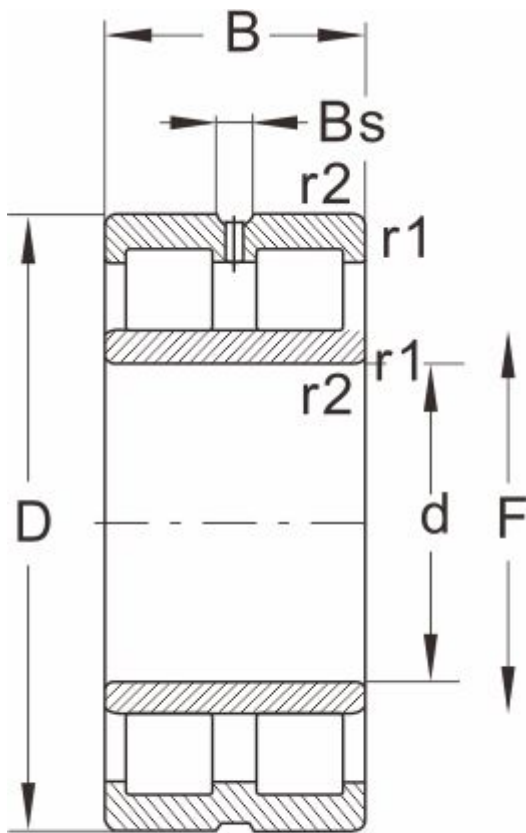


315976B

Dimensions and Parameters



NNU...W33

Bearing No.	315976B
Boundary dimensions(mm)	
d	280
D	470
B	200
r1 r2 min	
Basic load ratings(kN)	
Dynamic(Cr)	2920
Static(Cor)	5600
Limiting speed(rpm)	
Grease	1000
Oil	1500
Bearing dimension	
E	
F	392
Bs ≈	13.9
S ≈	4.7
Weight (kg)	150