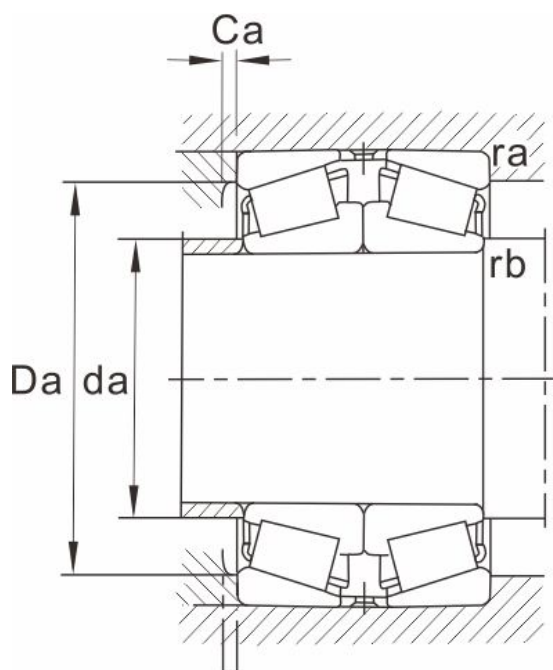


# 31330.DF

## Dimensions and Parameters



Bearing NO.	31330.DF
Boundary dimensions [mm]	
d	150
D	320
T	164
Load ratings [kN]	
Dyna Cr	1340
Static Dor	2040
Fatigue load limit [kN]	
$p_u$	200
Speed ratings [rpm]	
grease	800
Oil	1100
Mass [kg]	61.9
Bearing dimensions	
2B	150
r3.4 min	4
r5 min	1.5
Abutment and fillet dimensions	
da max	181
Da min	251
Da max	302
Ca min	9
ra max	3
rb max	1

## Paired Single Row Tapered Roller Bearings (Face to Face)

---

### Calculation factors

e	0.83
Y1	0.81
Y2	1.2
Y0	0.8