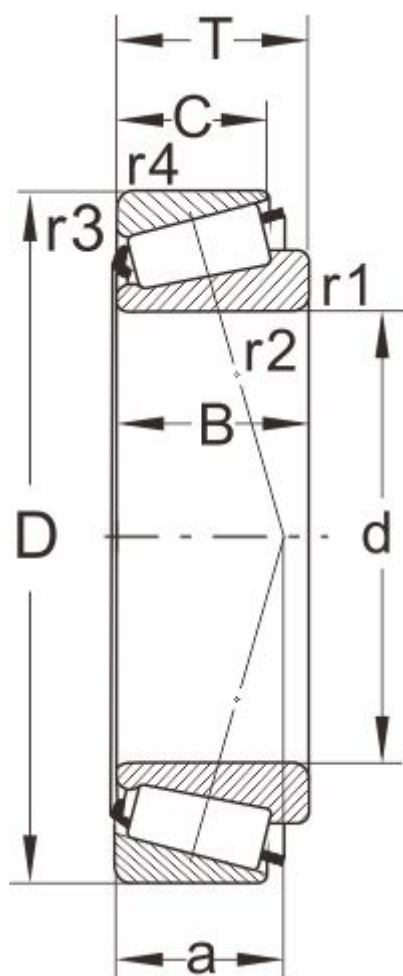


# 31310

## Dimensions and Parameters



### Designation

DIN720	31310
ISO355	T7FB050

### Boundary dimensions(mm)

d	50
D	110
B	27
C	19
T	29.25
r1,r2 min	2.5
r3,r4 min	2
a	35

### Speed ratings

grease	3200
oil	4300

### Load ratings[kN]

dyn Cr	112
stat Cor	127

### Calculation factors

e	0.83
Y	0.73
Y0	0.4

### Abutment and fillet

#### dimensions(mm)

Da max	62
db min	60

## Single Row Tapered Roller Bearings (Metric Series)

---

Da min	87
Db min	104
Ca min	4
Cb min	10
Mass (kg)	1.4