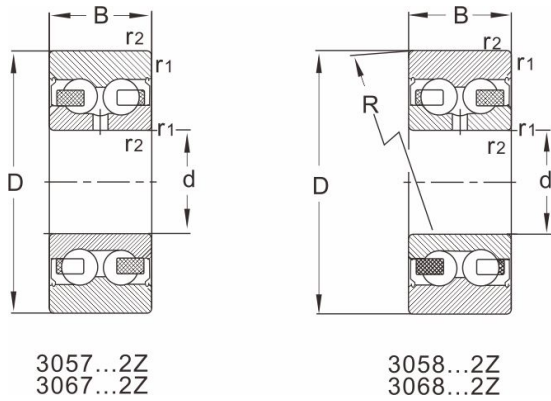


# 306707.2Z

## Dimensions and Parameters



### Designation□

Cylinder outer diameter	306707.2Z
Spherical outer diameter	306807.2Z

### Boundary dimensions[mm]

D	90
d	35
B	34.9
R	400
r1,r2 min	1.5

### Speed ratings[rpm]

min-1	5100
-------	------

### Load ratings[kN]

#### As a bearing

Dyn Cr	56
Stat Cor	39.5

#### As a roller

Dyn Cr	44.5
Stat Cor	33

### Maximum allowable load

Dyn Cr	39.5
Stat Cor	66
Mass[kg]	0.95